

# CABIN AIR FILTER – INSTALLATION INSTRUCTIONS

Part No.: **CAF1873P**

Est. Installation Time: **less than 10 min.**

Honda CR-Z (2012-13), FIT (2009-14), Insight (2010-13), OEM No. 80292-TF0-G01

**The cabin air filter is located behind the glove compartment.**

1. Open the glove box
2. Push both sides on the box inward to disengage the stoppers. See - Fig 1
3. Allow the glove compartment to swing freely down towards the floorboard on its bottom hinge. This will allow access to the cabin filter housing.
4. Locate the cabin filter plastic cover and unlock it by pressing inward on the left and right side tabs and remove it straight out towards you - Fig 2
5. Pull the old filter out and clean the housing.
6. Insert the new filter into the housing. Make sure the air flow arrow is pointing up.
7. Install the filter housing cover back
8. Put the glove compartment back into position by pushing both sides inward to re-engage the stoppers.
9. Close glove compartment.

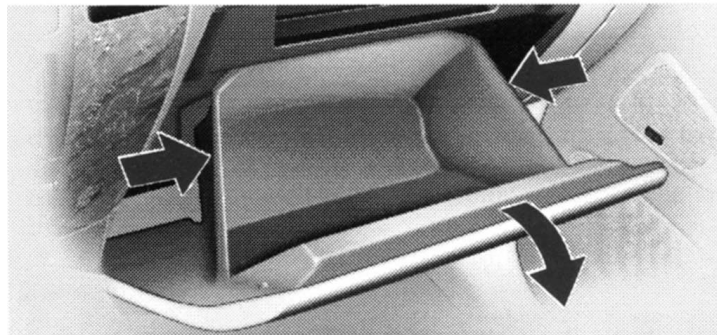


Figure 1

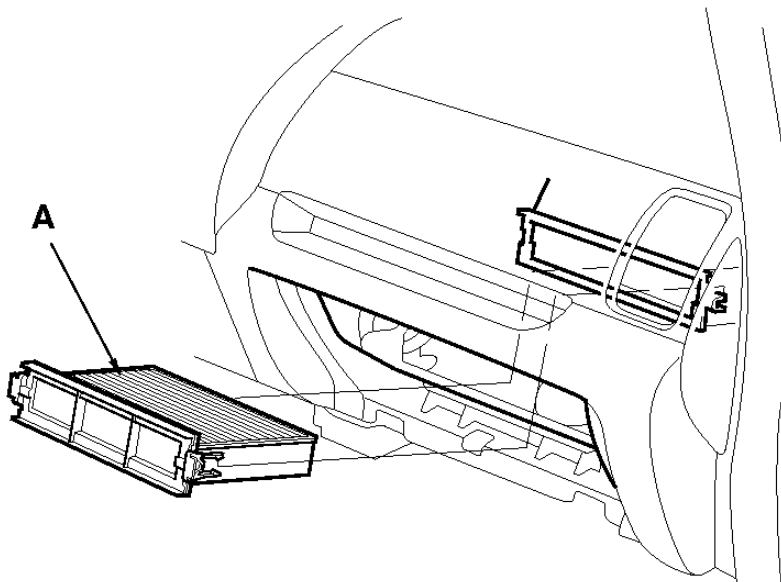


Figure 2