

CABIN AIR FILTER – INSTALLATION INSTRUCTIONS

Part No.: **CAF1848M**

Est. Installation Time: **less than 15 mins**

The Cabin air filter is located behind the glove compartment

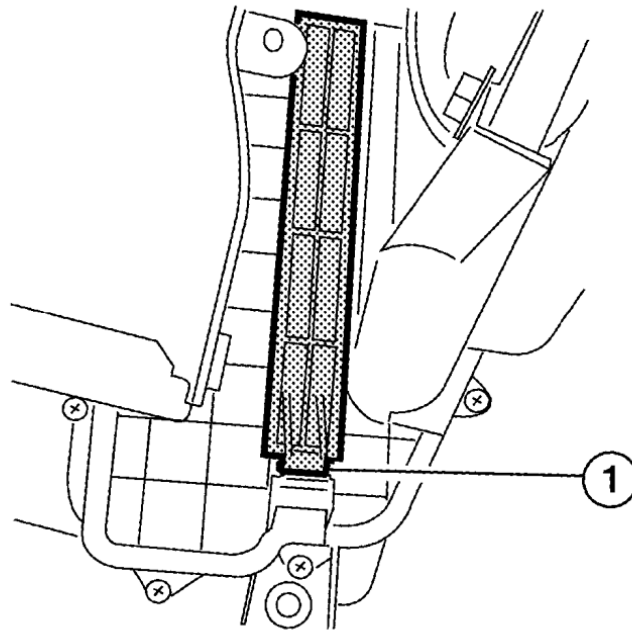
- Open the glove box
- Remove the glove compartment assembly to access the blower assembly to the lower left
- Remove the filter access door by disengage the filter cover tab (1)
- Remove the old cabin air filter, taking note the air flow arrow indicator on the side of the old filter
- Insert the new filter into the assembly, making sure the air flow direction is correct according to the arrow indicator
- Replace the rest of the glove box assembly by reversing the removal procedure

This is only a guide and may not be for exact model. See Owner's manual and/or local mechanic for exact instructions for the particular model.

CABIN AIR FILTER – INSTALLATION INSTRUCTIONS

Part No.: CAF1848M

Est. Installation Time: less than 15 mins



This is only a guide and may not be for exact model. See Owner's manual and/or local mechanic for exact instructions for the particular model.