

CABIN AIR FILTER – INSTALLATION INSTRUCTIONS

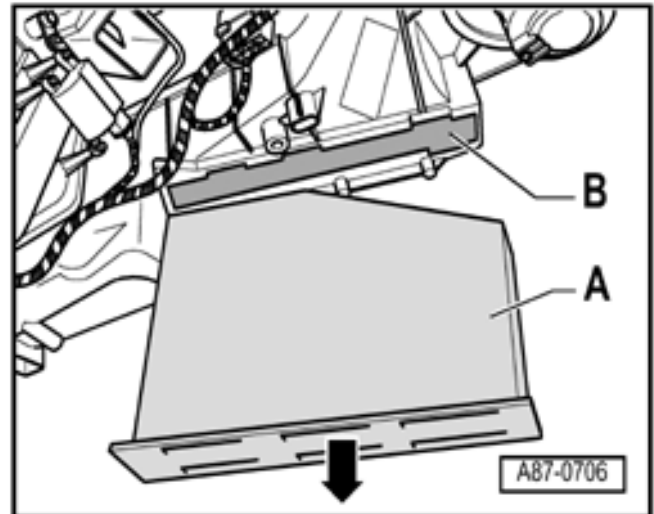
Part No.: **CAF1800C**

Est. Installation Time: **less than 20 min.**

Audi A3 (06-13), TT (08-13) Volkswagen Beetle (12-14), (Jetta (05-13) CC (09-13), EOS, Golf, GTI, Passat, Rabbit, Tiguan (06-14) OEM No.1K1819653A

The cabin air filter is located under the dashboard on the passenger side

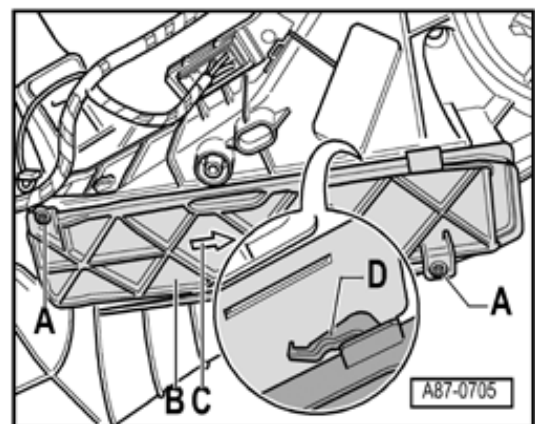
1. Locate the filter housing cover
2. Push and slid the cover to the right to remove it
3. Pull the old filter down
4. Push the new filter up into the housing. It will fit in only one orientation – See ==>
5. Reinstall the housing cover, by hooking it in the receiving slots and slide it to the left



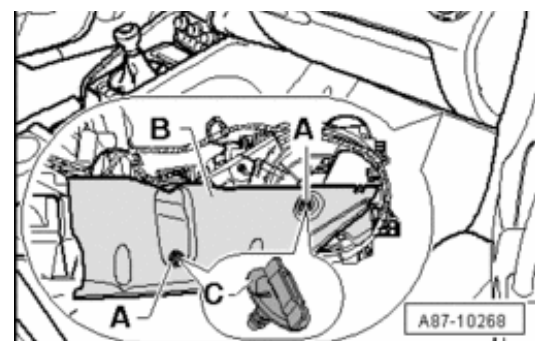
G00435482

Some application require the following procedure

1. Remove bolts -A- if necessary. See →
2. Bolt -A- is not installed on all vehicles. Bolts secure the cover -B- in the event the catches -D- no longer hold.
3. Push cover -B- in direction of -arrow C- and remove cover
4. Screw clips -A- are available in different versions. For example, -C- and -D-. See →
5. Remove filter element -A- from shaft -B- of air conditioner or heater..
6. Clean the surrounding area of the dust and pollen filter in air conditioner shaft or heating before installing a new filter. Using a vacuum cleaner, clean shaft -B- of A/C unit or heater. Install in reverse order of removal.



G00435481



G00435480