

# CABIN AIR FILTER – INSTALLATION INSTRUCTIONS

Part No.: **CAF1707**

Est. Installation Time: **less than 30 min.**

Cadillac Escalade (2002), Chevrolet Avalanche (2002), Chevrolet Silverado & GMC Sierra (1999-02), Chevrolet, Suburban, Tahoe & GMC Yukon, Yukon XL (2000-02) OEM No. 52473340

GM - C/K Series Truck/SUVMODEL APPLICATION 2002: Avalanche2000-2002: Suburban, Tahoe, Yukon & Yukon XL1999-2002: Sierra & Silverado2002: Escalade & Escalade EXT

Information in this article does NOT apply to 2000 Tahoe Classic or 2000 Yukon Denali. As of the 2003 model year, the cabin air filter is no longer offered as a factory option. This information is from GM technical service bulletin ID No. 1765551, publication date 02/16/2006.

1. Remove the instrument panel sound insulator from under right side of instrument panel.
2. Remove the retaining bolts. Remove the insulator from the HVAC module by pulling downwards. Fig. 1
3. Remove the filter access door screw.
4. Remove the filter access door from the HVAC module.
5. Remove the old filter – 2 filters. Fig 2 .
6. Insert the new filters – 2 filters
7. Screw the access door

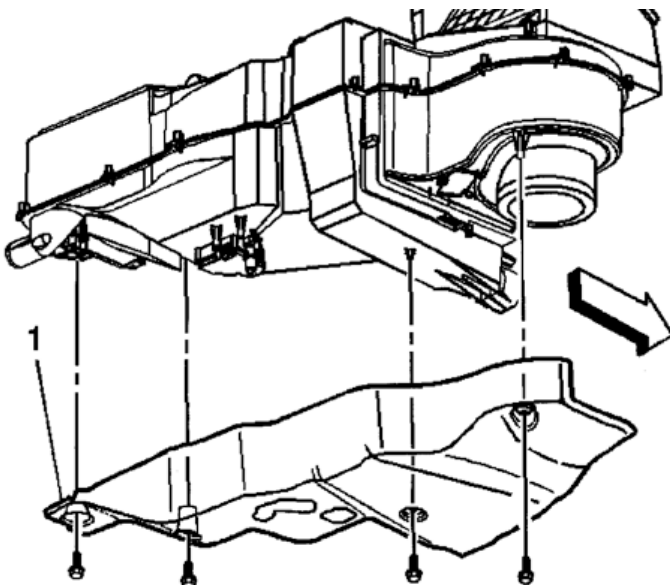


Figure 1

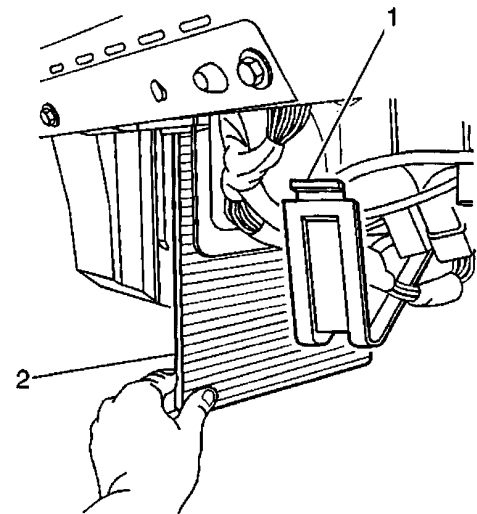


Figure 2