



# CABIN AIR FILTER – INSTALLATION INSTRUCTIONS

Item No.: **CAF1706**

Est. Installation Time: **less than 30 min.**

GM – Allure (Canada), Century, Grand Prix, Impala, LaCrosse, Monte Carlo, Regal

(Grand Prix is not equipped with a cabin air filter until 2004 model year.)

## 1997-2003 Century, Impala, Intrigue & Regal

1. With hood closed, turn on windshield wipers. Stop windshield wipers in raised position.
2. Raise the hood. Position aside the rear hood seal halfway to the center.
3. Noting the installed position for reassembly reference, remove the wiper arms. Disconnect windshield wiper hose from air inlet grill. See . Fig 1
4. Remove air inlet grille retainers and grille on right side. See .

Locating Windshield Wiper Washer Hose (1997-2005 Century, Impala, Intrigue & Regal)

Remove air inlet grille retainers and grille on right side.

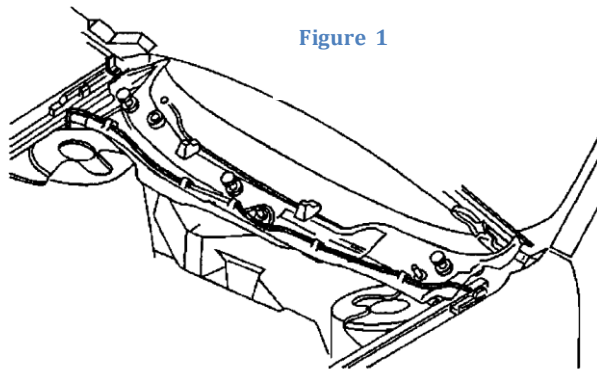
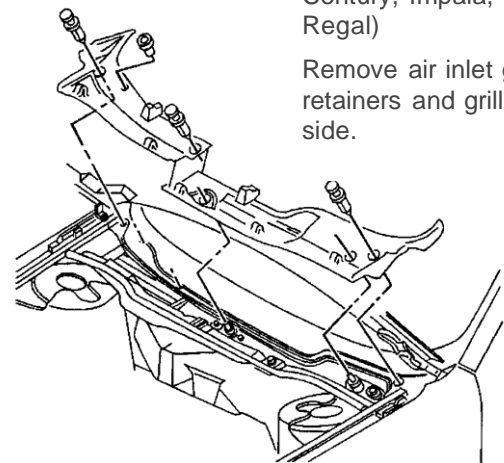


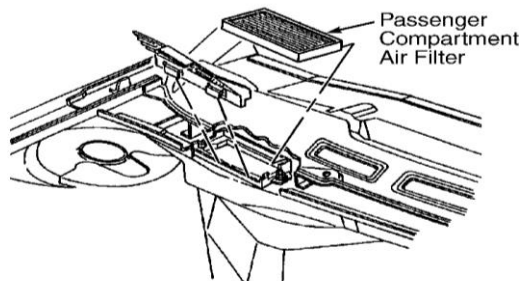
Figure 1

G00184502



G00184503

1. Removing Air Inlet Grille Retainers (1997-2005 Century, Impala, Intrigue & Regal)
2. Remove passenger compartment air filter. See . To install, reverse removal procedure.
3. Removing Passenger Compartment Air Filter (1997-2005 Century, Impala, Intrigue & Regal)



G98E03053

This is only a guide and may not be for exact model. See Owner's manual and/or local mechanic for exact instructions for the particular model.



# CABIN AIR FILTER – INSTALLATION INSTRUCTIONS

Item No.: **CAF1706**

Est. Installation Time: **less than 30 min.**

GM – Allure (Canada), Century, Grand Prix, Impala, LaCrosse, Monte Carlo, Regal

## 2004-2005 Century & Regal

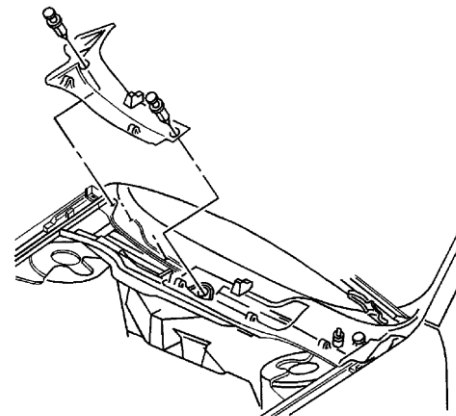
1. Position the windshield wipers in the "up" position, by keying the ignition OFF when the wiper reach the desired position. Raise the hood.
2. Remove the rear hood seal from the pinchweld flange in the right rear corner. Remove the washer hose from the right air inlet grill panel and position aside.
3. Noting the installed position for reassembly reference, remove the wiper arms. Disconnect windshield wiper hose from air inlet grill. See .
4. Remove air inlet grille retainers and grille on right side. See .
5. Remove the passenger compartment air filter. See . To install components, reverse removal procedure.

## 2004-2007 Allure Canadian (2005-06), Impala, Grand Prix, Lacrosse & Monte Carlo

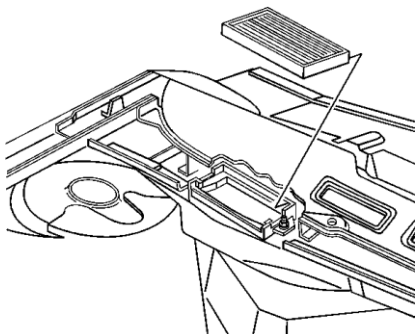
1. Position the windshield wipers in the "up" position, by keying the ignition OFF when the wiper reach the desired position. Raise the hood.
2. Remove the rear hood seal from the pinchweld flange in the right rear corner. Remove the washer hose from the right air inlet grill panel and position aside.
3. Remove the two push pin retainers from the right air inlet grill panel. See .

4. Removing Two Push Pin Retainers From Right Air Inlet Grill (2004-2007 Allure Canadian (2005-06), Impala, Grand Prix, LaCrosse & Monte Carlo)

5. Position the left side of the right air inlet grill panel on to the windshield. Remove the passenger compartment air filter. See . To install components, reverse removal procedure.



6. Removing Passenger Compartment Air Filter (2004-2006 Allure Canadian (2005-06), Impala, Grand Prix, LaCrosse & Monte Carlo)



This is only a guide and may not be for exact model. See Owner's manual and/or local mechanic for exact instructions for the particular model.