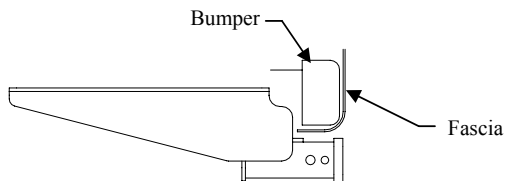


# Installation Instructions

## Jeep Grand Cherokee

Part Numbers:  
**51010**



**Do Not Exceed Lower of Towing Vehicle  
Manufacturer's Rating or**

Hitch type	Max Gross Trailer WT (LB)	Max Tongue WT (LB)
Weight Distributing	<b>5000 (2270 Kg)</b>	<b>500 (227 Kg)</b>
Weight Carrying Ball Mount	<b>3500 (1589 Kg)</b>	<b>300 (136 Kg)</b>

### Hitch Shown In Proper Position

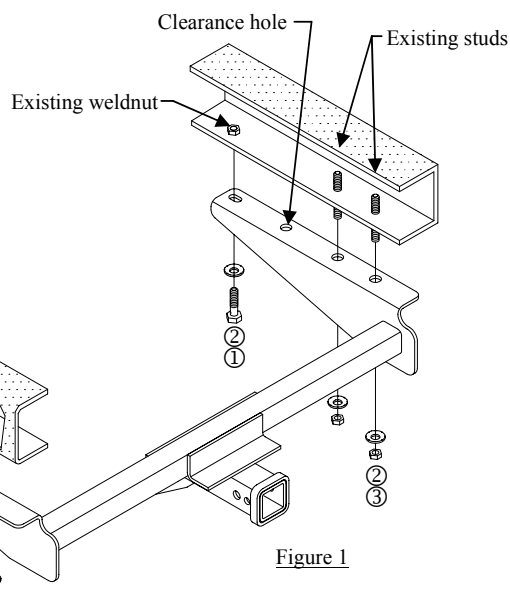
#### Equipment Required:

**Fastener Kit:** 51010-051

**Wrenches:** 18mm, 19mm

**Drill Bits:** None

#### Wiring Access Location: SUV3, SUV4



### Fasteners typical both sides

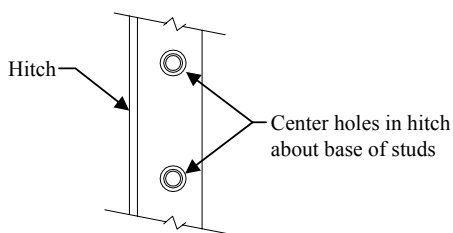


Figure 2

Typical both sides, all Models

Figure 1

①	Qty. (2)	Hex Bolt M12 X 1.75 X 40	③	Qty. (4)	Hex Nut M12 X 1.75
②	Qty. (6)	Conical Washer 1/2			

- Vehicles equipped with closed side fuel tank shield, must have shield supported because shield is secured by fasteners which will be removed in Steps 2 & 3.
- Remove nuts and flat washers from the two studs at the end of the frame and discard.
- Remove bolts and washer assembly from forward attachment and discard.
- Raise hitch into position over two existing studs at the end of the frame. Being careful to center the holes in the hitch around the base of the studs. As shown in Figure 2. Loosely install conical washers and nuts supplied, both sides, as shown in Figure 1.

Note: Fuel tank shield will be sandwiched between frame and hitch side brackets.

- Install hex bolt, conical washer into existing weldnut at forward attachment.

Note: 3/4 diameter hole is for clearance and does not require a fastener.

Tighten all fasteners with torque wrench to 55 Lb.-Ft. (75 N\*M)

Note: check hitch frequently, making sure all fasteners and ball are properly tightened. If hitch is removed, plug all holes in trunk pan or other body panels to prevent entry of water and exhaust fumes. A hitch or ball which has been damaged should be removed and replaced. Observe safety precautions when working beneath a vehicle and wear eye protection. Do not cut access or attachment holes with a torch.

This product complies with safety specifications and requirements for connecting devices and towing systems of the state of New York, V.E.S.C. Regulation V-5 and SAE J684.